

# FG-N



Oběžné kolo s dozadu zahnutými lopatkami  
Backward curved impeller

Jednostranně sací radiální ventilátor s motorem napřímo. Vyroben z ocelového plechu chráněného katarforezním základním nátěrem a polyuretanovým lakem. Navržen pro trvalý provoz, teplota přepravované vzdušiny od -20 °C do +60 °C.

#### Motory:

2pólové, IE 3\* s vysokou účinností, třífázové provedení 230/400 V, 50 Hz do velikosti motoru 132. Pro velikosti motoru nad 132 400/690 V, 50 Hz. Krytí IP55, izolace třídy F.

\* Od 0,75 kW může být motor IE 2 a řízen frekvenčním měničem.

#### Na vyžádání:

- nerez a další materiály
- dvourychlostní motory
- 60 Hz provedení
- lakované v různých barvách RAL
- ventilátor bez podstavce (provedení 5) do velikosti motoru 160
- vysokoteplotní provedení (až do 150 °C, provedení B s chladicím kotoučem)
- ventilátor s pohonem na spojku (provedení 8)
- revizní dvířka, odvod kondenzátu, ucpávka hřídele
- svařovaná spirální skříň
- tepelně izolovaná spirální skříň

*Direct drive, single inlet centrifugal fan. Manufactured from steel sheet protected with cataforesis primer + polyurethane paint finish. Designed to continuously circulate air from -20 °C up to 60 °C.*

#### Motors

2 pole, IE 3\* high efficiency, three-phase 230/400 V 50 Hz up to motor size 132 and 400/690 V 50 Hz for higher motors. IP55, Class F protection.

\* From 0,75 kW, motor can be IE 2 and controlled by VSD.

#### On request

- Manufactured from different materials.
- 2-speed motors.
- 60 Hz versions.
- Painted in different RAL colour.
- Fan with no supporting stand (Motor-Flange, Arrangement 5), up to motor size 160.
- High-temperature versions (up to 150 °C) (B versions: with cooling impeller).
- ARRANGEMENT 8: with joint flexible coupling.
- Inspection door, draining, different

#### ATEX provedení:

Na vyžádání možnost dodání v nevybušném provedení podle směrnice ATEX pro třífázové motory a pro okolní atmosférické podmínky definované normou EN 14986. Rozsah teplot -20 °C až +60 °C, absolutní tlak 0,8 až 1,1 bar.

#### • Plyn:

- ⊗ 2G IIB T2-T3-T4, motor Exd IIB nebo Exell
- ⊗ 2G IIB+H2 T2-T3-T4, motor ExdIIC
- ⊗ 3G IIB T2-T3-T4, motor ExnA (pouze pro zónu 3G)
- ⊗ 3G IIB+H2 T2-T3-T4, motor ExnA (pouze pro zónu 3G)

#### • Nevodivý prach:

- ⊗ 2D IIIB T125°C-T135°C-T195°C-T295°C
- ⊗ 3D IIIB T125°C-T135°C-T195°C-T295°C

#### • Vodivý prach (povinný motor IP65):

- ⊗ 2D IIIC T125°C-T135°C-T195°C-T295°C
- ⊗ 3D IIIC T125°C-T135°C-T195°C-T295°C

*seals on scroll and shaft access.*

- Welded casing.
- Thermal insulation lagging.

#### ATEX versions

*On request, explosion proof versions in accordance with ATEX directive for three phase models:*

*Ambient temperature -20 °C to +60 °C, ambient pressure (abs.) 0,8 bar to 1,1 bar according to EN 14986.*

#### • Gas:

- ⊗ 2G IIB T2-T3-T4, Motor Exd IIB or Exell
- ⊗ 2G IIB+H2 T2-T3-T4, Motor ExdIIC
- ⊗ 3G IIB T2-T3-T4, Motor ExnA (only for 3G zone)
- ⊗ 3G IIB+H2 T2-T3-T4, Motor ExnA (only for 3G zone)

#### • Non-conductive dust:

- ⊗ 2D IIIB T125°C-T135°C-T195°C-T295°C
- ⊗ 3D IIIB T125°C-T135°C-T195°C-T295°C

#### • Conductive dust (compulsory IP 65 motor):

- ⊗ 2D IIIC T125°C-T135°C-T195°C-T295°C
- ⊗ 3D IIIC T125°C-T135°C-T195°C-T295°C

| TABULKA POUŽITÍ<br>TABLE OF APPLICATIONS |  |
|--|--|
| Charakter vzdušiny<br>Air Type           | Množství prachu<br>Dust quantity<br>(mg/m <sup>3</sup> ) |
| Čistý vzduch<br>Clean air                | 50   |

TECHNICKÉ PARAMETRY / TECHNICAL FEATURES

Ujistěte se, že elektrické parametry (napětí, proud, frekvence apod.) jsou vhodné pro vaši konkrétní aplikaci.

Please, check that electrical features (voltage, current, frequency, etc.) are suitable with your installation.

| Typ<br>Model    | Velikost<br>motoru<br>Motor size | Otáčky<br>Speed<br>(min <sup>-1</sup> ) | Jmenovitý<br>výkon<br>Motor power<br>(kW) | Max. proud při 400 V<br>Maximum absorbed<br>current 400 V<br>(A) | Max. průtok<br>Maximum airflow<br>(m <sup>3</sup> /h) | Akust. tlak ve<br>vzdál. 1 m<br>Sound pressure<br>level at 1 m<br>(dB(A)) <sup>(1)</sup> | Hmot.<br>Weight<br>(kg) <sup>(2)</sup> | Moment<br>setrvačnosti<br>Moment of inertia<br>(kg·m <sup>2</sup> ) <sup>(3)</sup> |
|-----------------|----------------------------------|---|---|--|---|--|--|--|
| 2PÓLOVÉ / 2POLE |                                  |   |   |  |   |  |  |  |
| FG 451/2 N4A    | 90L2                             | 2850                                    | 2,2                                       | 4,43   | 3.290   | 79   | 68                                     | 0,28   |
| FG 502/2 N4A    | 100LA2                           | 2900                                    | 3,0                                       | 5,77   | 2.120   | 80   | 90                                     | 0,33   |
| FG 502/2 N4A    | 112M2                            | 2910                                    | 4,0                                       | 7,50   | 3.060   | 80   | 96                                     | 0,33   |
| FG 501/2 N4A    | 112M2                            | 2910                                    | 4,0                                       | 7,50   | 3.310   | 81   | 96                                     | 0,38   |
| FG 501/2 N4A    | 132SA2                           | 2890                                    | 5,5                                       | 10,10  | 4.620   | 85   | 110                                    | 0,38   |
| FG 562/2 N4A    | 132SA2                           | 2890                                    | 5,5                                       | 10,10  | 3.220   | 86   | 130                                    | 0,55   |
| FG 562/2 N4A    | 132SB2                           | 2890                                    | 7,5                                       | 13,90  | 4.750   | 86   | 136                                    | 0,55   |
| FG 561/2 N4A    | 132SB2                           | 2890                                    | 7,5                                       | 13,90  | 3.510   | 86   | 138                                    | 0,68   |
| FG 632/2 N4A    | 132MB2                           | 2900                                    | 9,2                                       | 16,60  | 3.830   | 87   | 168                                    | 0,90   |
| FG 632/2 N4A    | 160MR2                           | 2930                                    | 11,0                                      | 18,70  | 6.120   | 88   | 196                                    | 0,90   |
| FG 631/2 N4A    | 160MR2                           | 2930                                    | 11,0                                      | 18,70  | 4.390   | 88   | 199                                    | 1,05   |
| FG 631/2 N4A    | 160M2                            | 2935                                    | 15,0                                      | 25,40  | 9.250   | 88   | 201                                    | 1,05   |
| FG 712/2 N4A    | 160L2                            | 2935                                    | 18,5                                      | 33,30  | 7.490   | 89   | 250                                    | 1,68   |
| FG 712/2 N4A    | 180M2                            | 2940                                    | 22,0                                      | 39,00  | 9.540   | 91   | 272                                    | 1,68   |
| FG 711/2 N4A    | 180M2                            | 2940                                    | 22,0                                      | 39,00  | 7.390   | 92   | 276                                    | 2,00   |
| FG 711/2 N4A    | 200LR2                           | 2960                                    | 30,0                                      | 53,50  | 13.210  | 92   | 392                                    | 2,00   |
| FG 802/2 N4A    | 200LR2                           | 2960                                    | 30,0                                      | 53,50  | 7.950   | 93   | 428                                    | 2,80   |
| FG 802/2 N4A    | 200L2                            | 2960                                    | 37,0                                      | 65,60  | 12.060  | 93   | 439                                    | 2,80   |
| FG 801/2 N4A    | 200L2                            | 2960                                    | 37,0                                      | 65,60  | 8.230   | 93   | 444                                    | 3,50   |
| FG 801/2 N4A    | 225M2                            | 2960                                    | 45,0                                      | 77,60  | 18.940  | 93   | 488                                    | 3,50   |
| FG 902/2 N4A    | 250M2                            | 2960                                    | 55,0                                      | 93,50  | 12.640  | 94   | 706                                    | 4,30   |
| FG 902/2 N4A    | 280S2                            | 2960                                    | 75,0                                      | 126,00   | 21.600  | 94   | 806                                    | 4,30   |
| FG 901/2 N4A    | 280S2                            | 2960                                    | 75,0                                      | 126,00   | 17.650  | 95   | 812                                    | 4,80   |
| FG 901/2 N4A    | 280M2                            | 2960                                    | 90,0                                      | 151,00   | 27.780  | 95   | 845                                    | 4,80   |
| FG 1002/2 N4A   | 280M2                            | 2960                                    | 90,0                                      | 151,00   | 15.070  | 97   | 924                                    | 8,00   |
| FG 1002/2 N4A   | 315S2                            | 2970                                    | 110,0                                     | 186,00   | 24.120  | 97   | 1.083                                  | 8,00   |
| FG 1001/2 N4A   | 315S2                            | 1970                                    | 110,0                                     | 186,00   | 25.330  | 98   | 1.090                                  | 9,50   |
| FG 1001/2 N4A   | 315M2                            | 2970                                    | 132,0                                     | 220,00   | 37.230  | 98   | 1.117                                  | 9,50   |

<sup>1</sup> S připojeným potrubím na straně výtaku / Piping only on outlet side

Tolerance úrovně hluku +3 dB(A), měřeno v bodě maximální účinnosti / Noise level tolerance +3 dB(A), measured in the maximum efficiency point

<sup>2</sup> Včetně motoru a pro montážní polohy LG270 nebo RD270 / With motor included and for LG270 or RD270 position

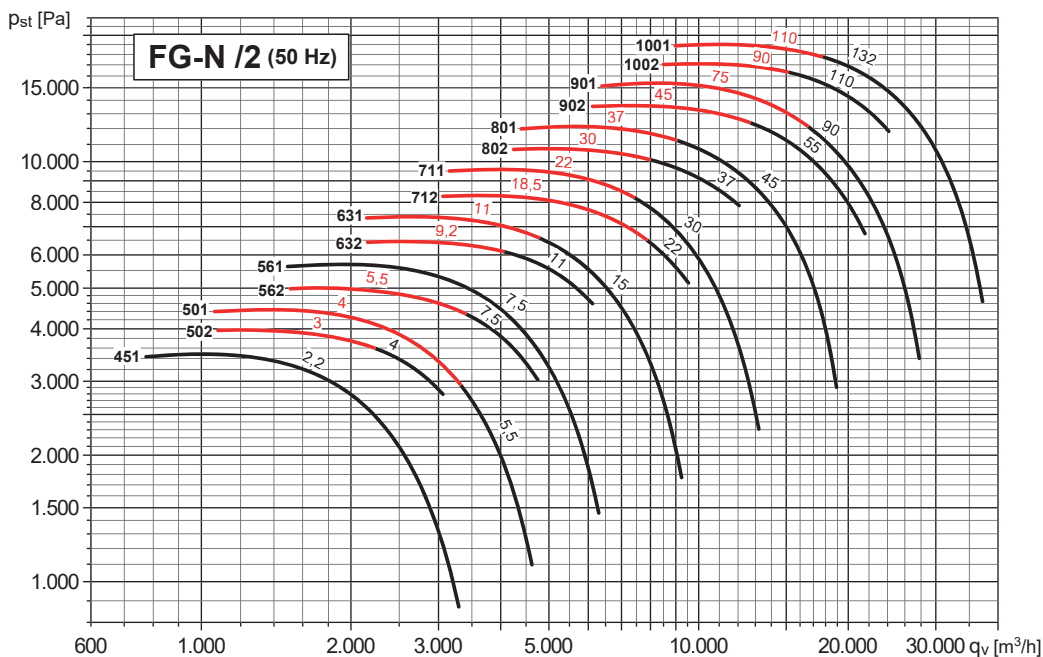
<sup>3</sup> Moment setrvačnosti oběžného kola / Impeller's moment of inertia

**CHARAKTERISTIKY (na výtlačku/sání) / PERFORMANCE CURVES (at outlet/inlet)**

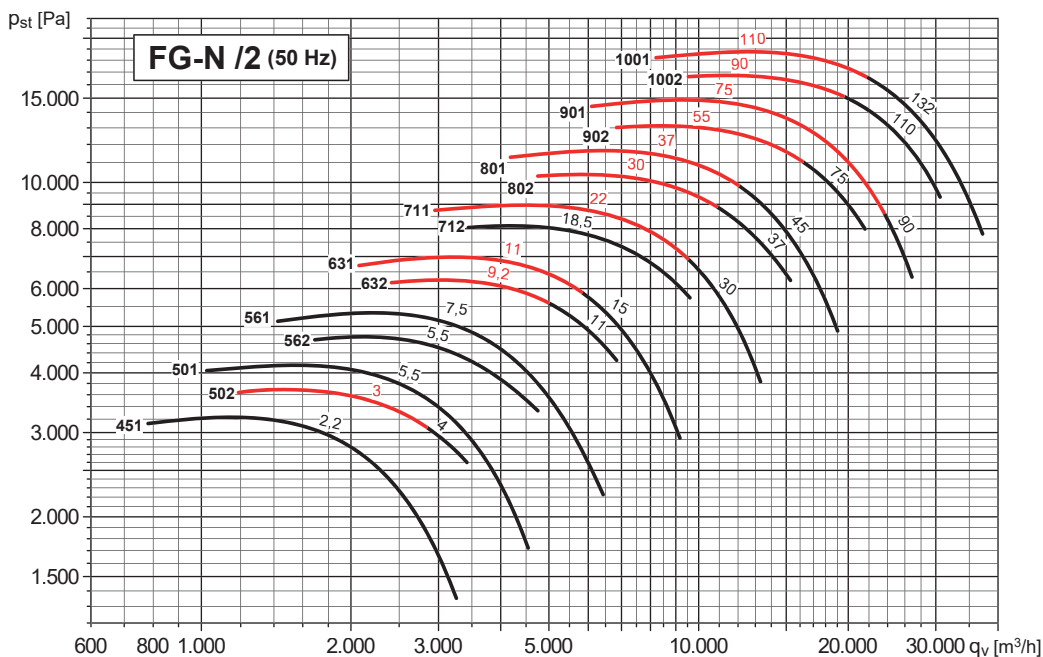
- ventilátor osazen potrubím na sání i výtlačku
- průtok vzduchu v m<sup>3</sup>/h
- p<sub>st</sub>: statický tlak v Pa
- velikost - výkon motoru v kW
- příklad: 801 - 37 nebo 45  
velikost - kW

- fan ducted on both inlet and outlet sides
- air volume in m<sup>3</sup>/h
- p<sub>st</sub>: Static pressure in Pa
- model - motor power in kW
- example: 801 - 37 or 45  
model - kW

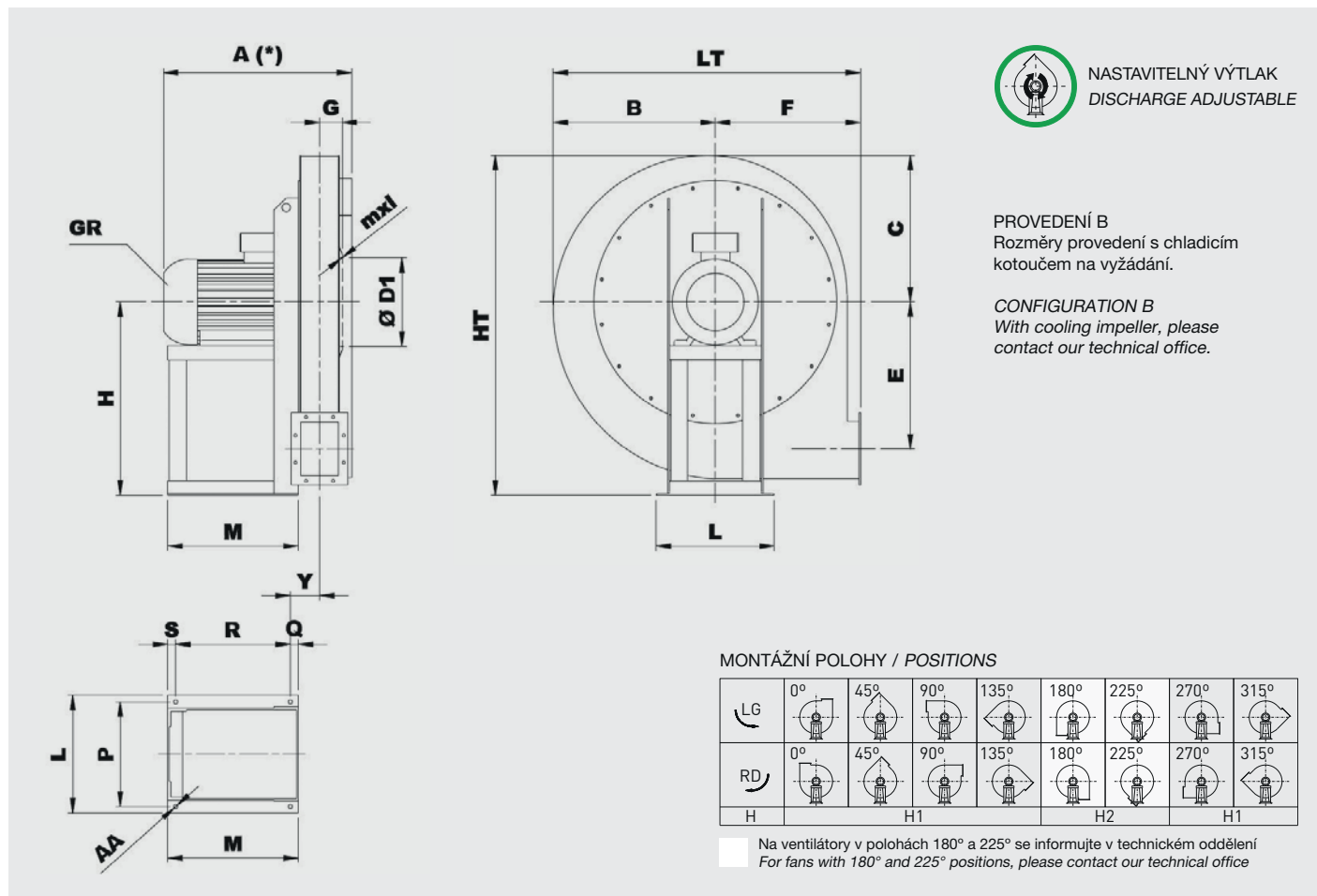
2pólové - výtlač - velikosti 451 až 1001  
2pole - outlet - models from 451 to 1001



2pólové - sání - velikosti 451 až 1001  
2pole - inlet - models from 451 to 1001

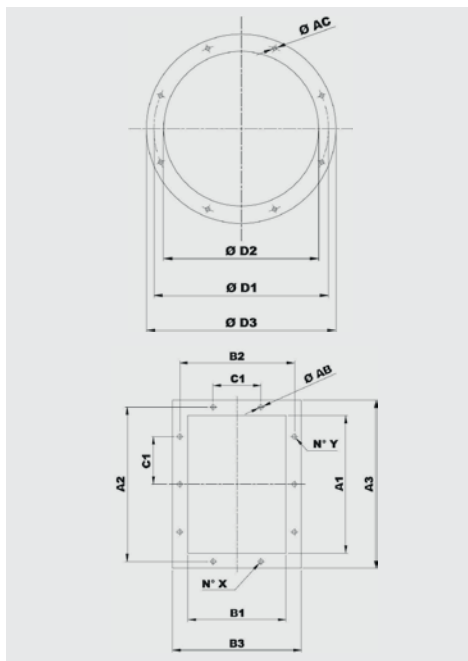


ROZMĚRY (mm) / DIMENSIONS (mm)



| Typ<br>Type       |                | Ventilátor<br>Fan |     |     |      |     |     |     |     |     |      |       | Montážní podstavec<br>Base |      |     |     |     |     |     |    |      |
|-------------------|----------------|-------------------|-----|-----|------|-----|-----|-----|-----|-----|------|-------|----------------------------|------|-----|-----|-----|-----|-----|----|------|
| Ventilátor<br>Fan | Motor<br>Motor | A*                | B   | C   | Ø D1 | E   | F   | G   | H   |     | HT   | mxl   | Y                          | LT   | L   | P   | M   | Q   | R   | S  | Ø AA |
|                   |                |                   |     |     |      |     |     |     | H1  | H2  |      |       |                            |      |     |     |     |     |     |    |      |
| FG 451/2 N4A      | 90L2           | 490               | 345 | 315 | 265  | 265 | 300 | 76  | 400 | 300 | 715  | M6X20 | 130                        | 645  | 260 | 234 | 260 | 60  | 183 | 17 | 10   |
| FG 501/2 N4A      | 112M2          | 575               | 380 | 350 | 292  | 297 | 335 | 83  | 450 | 335 | 800  | M8X25 | 101                        | 715  | 324 | 289 | 310 | 23  | 264 | 23 | 12   |
| FG 501/2 N4A      | 132SA2         | 600               | 380 | 350 | 292  | 297 | 335 | 83  | 450 | 335 | 800  | M8X25 | 101                        | 715  | 372 | 337 | 360 | 23  | 314 | 23 | 12   |
| FG 502/2 N4A      | 112M2          | 575               | 380 | 350 | 292  | 297 | 335 | 83  | 450 | 335 | 800  | M8X25 | 101                        | 715  | 324 | 289 | 310 | 23  | 264 | 23 | 12   |
| FG 502/2 N4A      | 100LA2         | 540               | 380 | 350 | 292  | 297 | 335 | 83  | 450 | 335 | 800  | M8X25 | 101                        | 715  | 324 | 289 | 295 | 23  | 249 | 23 | 12   |
| FG 561/2 N4A      | 132MB2         | 685               | 430 | 390 | 332  | 337 | 375 | 92  | 500 | 375 | 890  | M8X25 | 110                        | 805  | 372 | 337 | 360 | 23  | 314 | 23 | 12   |
| FG 561/2 N4A      | 132SB2         | 650               | 430 | 390 | 332  | 337 | 375 | 92  | 500 | 375 | 890  | M8X25 | 110                        | 805  | 372 | 337 | 360 | 23  | 314 | 23 | 12   |
| FG 562/2 N4A      | 132SA2         | 650               | 430 | 390 | 332  | 337 | 375 | 92  | 500 | 375 | 890  | M8X25 | 110                        | 805  | 372 | 337 | 360 | 23  | 314 | 23 | 12   |
| FG 562/2 N4A      | 132SB2         | 650               | 430 | 390 | 332  | 337 | 375 | 92  | 500 | 375 | 890  | M8X25 | 110                        | 805  | 372 | 337 | 360 | 23  | 314 | 23 | 12   |
| FG 631/2 N4A      | 160M2          | 785               | 485 | 440 | 366  | 381 | 425 | 104 | 560 | 425 | 1000 | M8X25 | 126                        | 910  | 440 | 395 | 470 | 28  | 414 | 28 | 14   |
| FG 631/2 N4A      | 160MR2         | 785               | 485 | 440 | 366  | 381 | 425 | 104 | 560 | 425 | 1000 | M8X25 | 126                        | 910  | 440 | 395 | 470 | 28  | 414 | 28 | 14   |
| FG 632/2 N4A      | 132MB2         | 700               | 485 | 440 | 366  | 381 | 425 | 104 | 560 | 425 | 1000 | M8X25 | 121                        | 910  | 372 | 337 | 360 | 23  | 314 | 23 | 12   |
| FG 632/2 N4A      | 160MR2         | 785               | 485 | 440 | 366  | 381 | 425 | 104 | 560 | 425 | 1000 | M8X25 | 126                        | 910  | 440 | 395 | 470 | 28  | 414 | 28 | 14   |
| FG 711/2 N4A      | 180M2          | 845               | 540 | 490 | 405  | 426 | 475 | 115 | 630 | 475 | 1120 | M8X25 | 142                        | 1015 | 488 | 434 | 540 | 33  | 474 | 33 | 17   |
| FG 711/2 N4A      | 200LR2         | 975               | 540 | 490 | 405  | 426 | 475 | 115 | 630 | 475 | 1120 | M8X25 | 189                        | 1015 | 568 | 506 | 552 | 80  | 433 | 39 | 19   |
| FG 712/2 N4A      | 160L2          | 805               | 540 | 490 | 405  | 426 | 475 | 115 | 630 | 475 | 1120 | M8X25 | 137                        | 1015 | 440 | 395 | 470 | 28  | 414 | 28 | 14   |
| FG 712/2 N4A      | 180M2          | 845               | 540 | 490 | 405  | 426 | 475 | 115 | 630 | 475 | 1120 | M8X25 | 142                        | 1015 | 488 | 434 | 540 | 33  | 474 | 33 | 17   |
| FG 801/2 N4A      | 200L2          | 1020              | 610 | 550 | 448  | 481 | 530 | 127 | 710 | 530 | 1260 | M8X25 | 201                        | 1140 | 568 | 506 | 575 | 80  | 456 | 39 | 19   |
| FG 801/2 N4A      | 225M2          | 1045              | 610 | 550 | 448  | 481 | 530 | 127 | 710 | 530 | 1260 | M8X25 | 201                        | 1140 | 616 | 556 | 615 | 80  | 496 | 39 | 19   |
| FG 802/2 N4A      | 200L2          | 1020              | 610 | 550 | 448  | 481 | 530 | 127 | 710 | 530 | 1260 | M8X25 | 201                        | 1140 | 568 | 506 | 575 | 80  | 456 | 39 | 19   |
| FG 802/2 N4A      | 200LR2         | 1020              | 610 | 550 | 448  | 481 | 530 | 127 | 710 | 530 | 1260 | M8X25 | 201                        | 1140 | 568 | 506 | 575 | 80  | 456 | 39 | 19   |
| FG 901/2 N4A      | 280S2          | 1210              | 685 | 620 | 497  | 542 | 600 | 144 | 800 | 600 | 1420 | M8X25 | 235                        | 1285 | 770 | 690 | 690 | 100 | 540 | 50 | 21   |
| FG 901/2 N4A      | 280M2          | 1210              | 685 | 620 | 497  | 542 | 600 | 144 | 800 | 600 | 1420 | M8X25 | 235                        | 1285 | 770 | 690 | 690 | 100 | 540 | 50 | 21   |
| FG 902/2 N4A      | 280S2          | 1210              | 685 | 620 | 497  | 542 | 600 | 144 | 800 | 600 | 1420 | M8X25 | 235                        | 1285 | 770 | 690 | 690 | 100 | 540 | 50 | 21   |
| FG 902/2 N4A      | 250M2          | 1100              | 685 | 620 | 497  | 542 | 600 | 144 | 800 | 600 | 1420 | M8X25 | 225                        | 1285 | 676 | 604 | 600 | 90  | 466 | 44 | 19   |
| FG 1001/2 N4A     | 315M2          | 1330              | 760 | 690 | 551  | 607 | 670 | 160 | 900 | 670 | 1590 | M8X25 | 262                        | 1430 | 850 | 760 | 800 | 110 | 635 | 55 | 21   |
| FG 1001/2 N4A     | 315S2          | 1330              | 760 | 690 | 551  | 607 | 670 | 160 | 900 | 670 | 1590 | M8X25 | 262                        | 1430 | 850 | 760 | 800 | 110 | 635 | 55 | 21   |
| FG 1002/2 N4A     | 280M2          | 1240              | 760 | 690 | 551  | 607 | 670 | 160 | 900 | 670 | 1590 | M8X25 | 252                        | 1430 | 770 | 690 | 690 | 100 | 540 | 50 | 21   |
| FG 1002/2 N4A     | 315S2          | 1330              | 760 | 690 | 551  | 607 | 670 | 160 | 900 | 670 | 1590 | M8X25 | 262                        | 1430 | 850 | 760 | 800 | 110 | 635 | 55 | 21   |

\* V závislosti na konkrétním provedení motoru / Depending on motor size

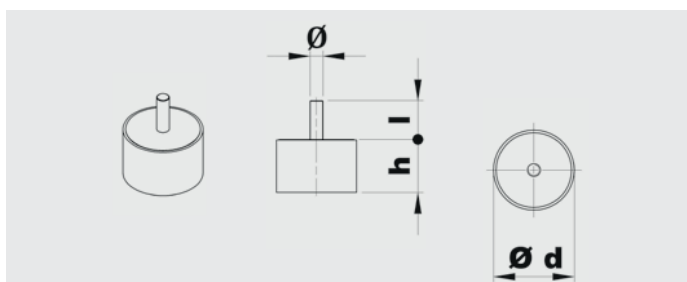


| Typ Model | Příruba na sání<br>Inlet flange |      |      |      |      |                 |
|-----------|---------------------------------|------|------|------|------|-----------------|
|           | Vel. příruby<br>Bride type      | Ø D1 | Ø D2 | Ø D3 | Ø AC | Otvory<br>Holes |
| 451       | 224                             | 265  | 228  | 298  | 8    | 8               |
| 501       | 250                             | 292  | 254  | 324  | 10   | 8               |
| 561       | 280                             | 332  | 285  | 365  | 10   | 8               |
| 631       | 315                             | 366  | 320  | 400  | 10   | 8               |
| 711       | 355                             | 405  | 360  | 440  | 10   | 8               |
| 801       | 400                             | 448  | 405  | 485  | 10   | 12              |
| 901       | 450                             | 497  | 455  | 535  | 10   | 12              |
| 1001      | 500                             | 551  | 505  | 585  | 10   | 12              |

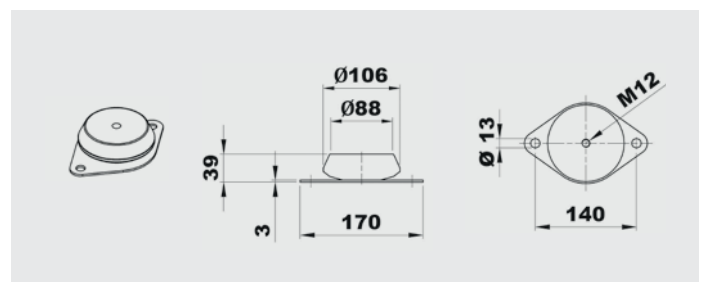
| Typ Model | Příruba na výtlaku<br>Discharge flange |     |     |     |     |     |     |     |      |      |      |
|-----------|--|-----|-----|-----|-----|-----|-----|-----|------|------|------|
|           | Vel. příruby<br>Bride type             | A1  | B1  | A2  | B2  | A3  | B3  | C1  | Ø AB | N° X | N° Y |
| 451       | 180x125                                | 183 | 131 | 219 | 165 | 253 | 201 | 112 | 12   | 1+1  | 2+2  |
| 501       | 200x140                                | 205 | 146 | 241 | 182 | 275 | 216 | 112 | 12   | 2+2  | 2+2  |
| 561       | 224x160                                | 229 | 164 | 265 | 200 | 299 | 234 | 112 | 12   | 2+2  | 2+2  |
| 631       | 250x180                                | 256 | 183 | 292 | 219 | 326 | 253 | 112 | 12   | 2+2  | 3+3  |
| 711       | 280x200                                | 288 | 205 | 332 | 249 | 368 | 285 | 125 | 12   | 2+2  | 3+3  |
| 801       | 315x224                                | 322 | 229 | 366 | 273 | 402 | 309 | 125 | 12   | 2+2  | 3+3  |
| 901       | 355x250                                | 361 | 256 | 405 | 300 | 441 | 336 | 125 | 12   | 2+2  | 3+3  |
| 1001      | 400x280                                | 404 | 288 | 448 | 332 | 484 | 368 | 125 | 12   | 3+3  | 4+4  |

**IZOLÁTORY CHVĚNÍ / SILENT BLOCKS**
**Doporučené izolatory chvění / Suggested silent blocks**

| Ventilátor / Fan | Provedení 4 / Arrangement 4 |
|------------------|-----------------------------|
| 451              | 4 x AM25 - 25 x 20          |
| 501/2            | 4 x AM30 - 30 x 30          |
| 561/2            | 4 x AM40 - 40 x 30          |
| 631/2            | 4 x AM50 - 50 x 40          |
| 711/2            | 4 x AM75 - 75 x 50          |
| 801/2            | 4 x AM75 - 75 x 50          |
| 901/2            | 4 x AZ 39 - 140 x 39        |
| 1001/2           | 4 x AZ 39 - 140 x 39        |

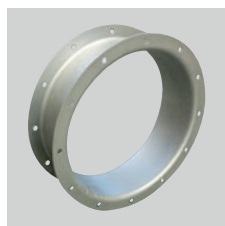


| Typ Type | Zátěž na 4 izolatory<br>Load for 4 supports<br>(kg) | d  | h  | Ø   | l  | Hmot.<br>Weight<br>(kg) |
|----------|---|----|----|-----|----|-------------------------|
| AM25     | 41÷80   | 25 | 20 | M6  | 18 | 0,03                    |
| AM30     | 81÷140  | 30 | 30 | M8  | 20 | 0,05                    |
| AM40     | 141÷224   | 40 | 30 | M8  | 23 | 0,10                    |
| AM50     | 225÷315   | 50 | 40 | M10 | 28 | 0,20                    |
| AM75     | 316÷630   | 75 | 50 | M12 | 37 | 0,50                    |

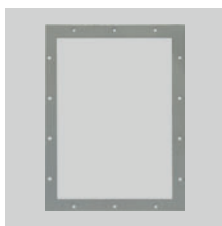


| Typ Type | Zátěž na 4 izolatory<br>Load for 4 supports<br>(kg) | Hmot.<br>Weight<br>(kg) |
|----------|---|-------------------------|
| AZ 39    | 631÷1250  | 0,7                     |

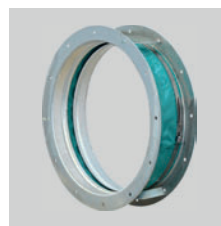
PŘÍSLUŠENSTVÍ / ACCESSORIES



**CA (CFH1) - CFH2 - CFH3**  
Kruhá spojka s přírubou a protipřírubou.  
*Counter-flange - Circular flange.*



**CP**  
Čtyřhranná příruba.  
*Rectangular Flange.*



**GA**  
Pružná kruhá manžeta s přírubou.  
*Inlet flexible connector.*



**GP**  
Pružná čtyřhranná manžeta s přírubou.  
*Outlet flexible connector.*



**DP**  
Regulovatelná kruhá klapka na sání.  
*Inlet damper governor.*



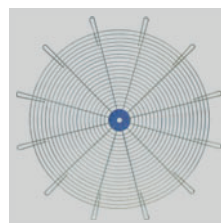
**SAD**  
Regulovatelná čtyřhranná klapka na výtak.  
*Air reducing damper at outlet.*



**SF**  
Kruhá škrticí klapka.  
*Throttle valve.*



**DF**  
Kruhá filtr na sání.  
*Air filter at inlet.*



**RC**  
Ochranná mřížka.  
*Protection net.*



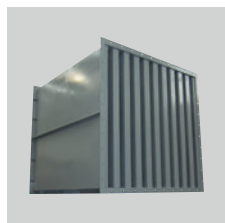
**AM/AZ**  
Izolátory chvění.  
*Silent blocks.*



**SCSO**  
Kruhá tlumič hluku.  
*Cylindrical sound attenuator.*



**SCCO**  
Kruhá tlumič hluku s kulisou.  
*Cylindrical sound attenuator with internal pot.*



**SASS**  
Kulisový tlumič hluku.  
*Baffle type sound attenuator.*



**CI**  
Hlukově izolovaný box.  
*Noise enclosure.*

Další informace naleznete v části "Montážní příslušenství".  
*For more information see "Mounting accessories".*